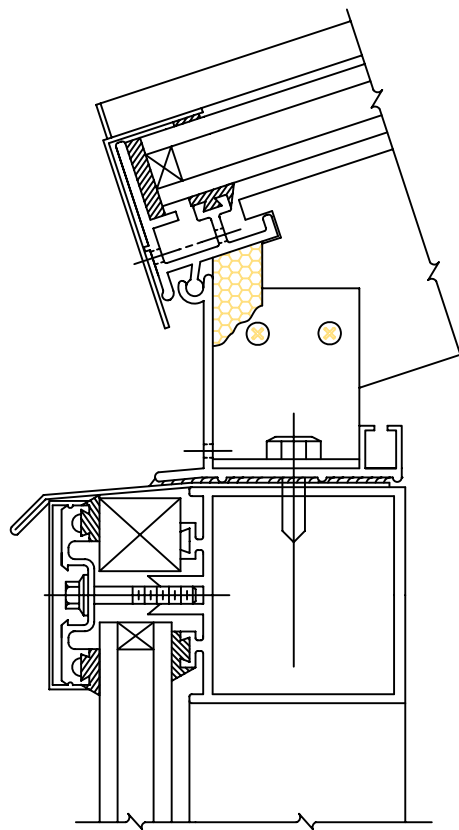


Scale 3/8" : 1"



Scale = 3/8" : 1"

Scale 3/8" : 1"